

AMON MACRO



Lighting column series. Fixtures consist of:

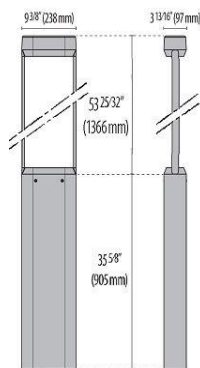
- Multi-step powder-coat painting process, optimized against UV rays and corrosion.
- Robust copper-free extruded aluminum column profile and copper-free precision die-cast aluminum housing, ring/faceplate, top cap, and inspection access door.
- Extra-clear, flat, tempered silk-screened soda-lime glass diffuser.
- Satin UV-stabilized, high-impact resistant diffuser (SOFT versions).
- Custom molded, anti-aging gasket(s).
- Stainless steel external hardware.
- Custom MCPCB utilized to maximize heat dissipation and promote a long LED life.
- High-transmittance transparent optics.
- High-efficiency COB, combined with an optimized passive cooling system, provides a long LED life.
- Internal specular reflector coated with 5-layers of PVD 99.98% pure aluminum providing >95% reflection.
- IESNA Type II light distribution.
- IESNA Type I light distribution.

- IESNA Type V light distribution.
- Diffuse light emission (SOFT).
- Input voltage: 120-277 V (50 / 60 Hz), integral 0-10 V dimming driver.
- Integral surge protector can withstand up to 10 kV transient line surge.
- Steel ground base plate included for bollards.
- Consult factory for dimming options, custom finishes (please specify RAL color), and non-cataloged CCT (Kelvin) options.
- Consult factory for custom post height options.
- Base heavy-duty covers, anchor bolts, and direct-burial support available for AMON MINI / MAXI (ordered separately).
- 5-year warranty.
- Product meets Buy American Act requirements within ARRA.
- Marine Grade finish.
- Suitable for Natatorium applications.
- Rated for 101 mph max wind zone.

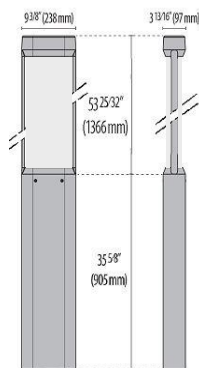


FINISHES

- AN-96 / Iron gray / Textured
- BK-81 / Black / Textured
- GR-94 / Aluminum metallic / Textured
- WH-87 / White / Textured
- RB-10 / Iron rust / Textured



AMON
MACRO



AMON
MACRO
SOFT



Scan here
for installation
instructions

Lumen Output	27K	3K	35K	4K	5K
Amon Macro T1 28W	1343	1404	1465	1526	1587
Amon Macro T2 28W	1333	1393	1453	1514	1574
Amon Macro T5 43W	1781	1881	1981	2081	2181
Amon Macro T5 90W (max)	3519	3574	3629	3684	3739
Amon Macro Soft 80W (max)	3834	3937	4040	4144	4247

Order Guide - Amon Macro



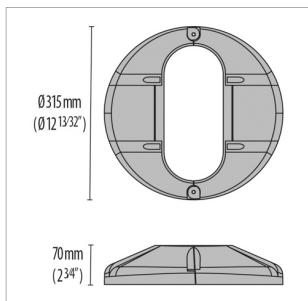
Order code example

AMAC-47-OPEN5-90-AM-3K-120-NA-BC-ANC

AMAC-

Column Height	Optics	Wattage	Finish	Kelvin	Voltage	Controls	Accessories
90 90 Inch (7.5' OAH)	OPEN5 Type V	28 28 watt	AM Aluminum Metallic	27K 2700k	UNV 120-277V	NA Non Dimming	BC Base Cover
155 155 Inch (12.9' OAH)	OPEN1 Type I	43 43 watt	IG Iron Gray	3K 3000k			
180 180 Inch (15' OAH) (max)	OPEN2 Type II	80 80 watt (soft max)	IR Iron Rust	35K 3500k	ELV ELV Dimming	DB Direct Burial Base	
XX Specify Height Must be within range	SOFT Type V Diffuse	90 90 watt (open max)	BK Textured Black	4K 4000k			
		90 90 watt (open max)	WH Textured White	5K 5000k		PHC1 120V Photocell	
		XX Specify Wattage Must be below max	CC Custom Color	RED Static Red		OCC1 on/off Occupancy Sensor	
				BLU Static Blue		OCC2 hi/lo Occupancy Sensor	
				GRN Static Green			
				AMB Static Amber (turtle-friendly)			

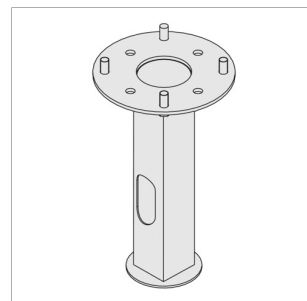
OPTIONAL ACCESSORIES



Base Cover



Anchor Bolts w/ template
Ø0.64" x 17" long
3" hook
Top 3.25" threaded



Direct Burial Base

Performance in Lighting reserves the right to make all necessary changes without prior notice.

Performance in Lighting - 2621 Keys Pointe - Conyers, Georgia 30013 - USA - voice 770.822.2115 - info.usa@pil.lighting
www.performanceinlighting.com

Revision 02
04/24